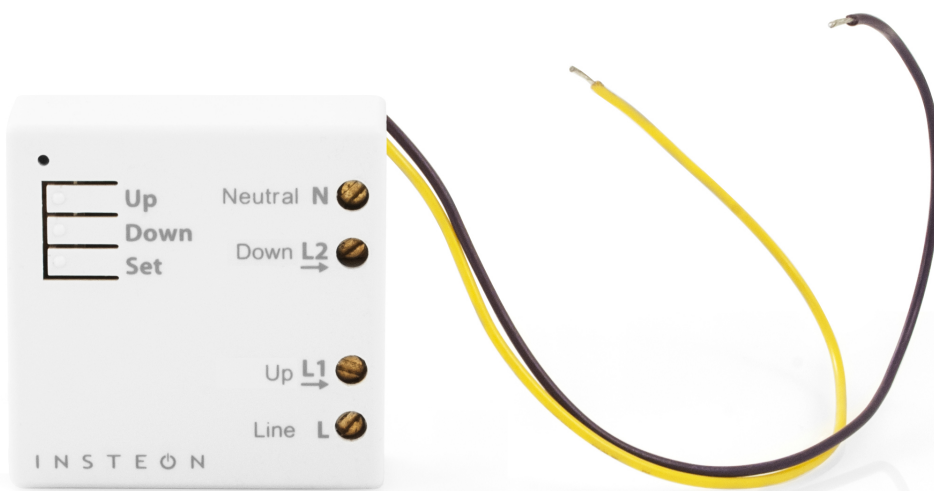


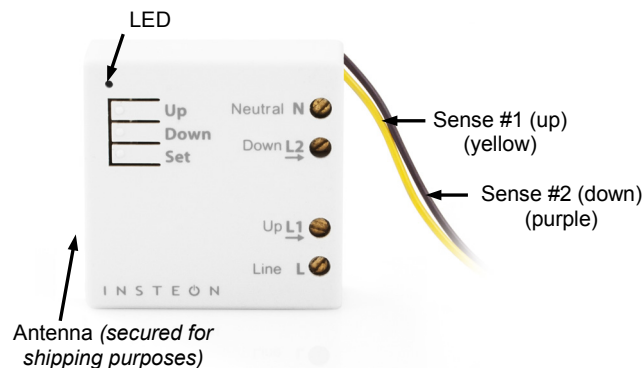
Micro Open/Close
Owner's Manual
2444-222 (US)
2444-422 (EU)
2444-522 (AUS/NZ)

N
G
E
T
S
I
N
I



About Micro Open/Close	4
<i>Features and Benefits</i>	4
Before Installation	4
Identifying the Electrical Wires in Your Home (North America only)	5
Identifying the Electrical Wires in Your Home (Europe/Australia/New Zealand)	5
Identify Switch Type	5
Installation	6
Switch Operation Mode	7
Change to Single Momentary Mode	7
Change to Dual Momentary Mode	7
Change to Latching Mode (default)	7
Calibrate Micro Module.....	8
3-Way Toggle Mode (Latching Switches Only, Default).....	8
Reverse Motor Direction.....	9
Local Control Operation	9
Latching Switch (Default)	9
Single Momentary Switch	9
Dual Momentary Wall Switch	10
Adjust Local Settings	10
Change LED Brightness (or turn it off)	10
Error Blink	10
Blink on Traffic	10
Beep on Button Press	10
INSTEON Setup	11
INSTEON Controllers, Responders and Links	11
Configure INSTEON Settings	11
Make Micro Module a Responder (Set button)	11
Make Micro Module a Responder (Switch)	11
Make Micro Module a Controller (Set button)	12
Make Micro Module a Controller (Switch)	12
Groups	12
Scenes	13
Make Micro Module a Controller of Multiple Responders	13
Remove Micro Module as a Controller	13
Remove Micro Module as a Responder	13
Remove Micro Module as a Controller of Multiple Responders	14
Factory Reset	14
X10 Setup	14
Add X10 Address	14
Remove X10 Address	14
Specifications	15
Troubleshooting	18
Stuck/Disabled Button	19
Phase Bridge Detect Beacon/RF Range Test	19
Certification and Warranty	20
Certification	20
FCC and Industry Canada Compliance Statement	20
Declaration of Conformity	20
ETL/UL Warning (Safety Warning)	20
Limited Warranty	20

About Micro Open/Close



Features and Benefits

- Two integrated relays specifically designed for two-direction motorized devices
- Wires in behind existing wall switch in a fixture box (requires neutral wire)
- Compatible with latching, single momentary and dual momentary switches
- Sense wires allow local control from any standard wall switch
- Can contain up to 400 controller/responder links
- X10 compatible
- All settings preserved in non-volatile memory, even through power failures
- Beeper for easy setup assistance; can also function as a chime module
- Local programming lockout available via software
- 2-year warranty

In the Box	Tools Needed	Optional Accessories
Micro Open/Close	Slotted screwdriver	Mini Remote
Quick Start Guide	Phillips screwdriver	INSTEON Hub
	Wire cutter/stripper	
	Voltage meter	

Before Installation

CAUTIONS AND WARNINGS

Read and understand these instructions before installing and retain them for future reference.

This product is intended for installation in accordance with the National Electric Code and local regulations in the United States or the Canadian Electrical Code and local regulations in Canada. Use indoors only.

This product is not designed or approved for use on power lines other than 100-240VAC, 50Hz or 60Hz, single phase. Attempting to use this product on non-approved power lines may have hazardous consequences.

- Use only indoors or in outdoor rated box
- Be sure that you have turned off the circuit breaker or removed the fuse for the circuit you are installing this product into. Installing this product with the power on will expose you to dangerous voltages.
- Connect using only copper or copper-clad wire
- This product may feel warm during operation. The amount of heat generated is within approved limits and poses no hazards. To minimize heat buildup, ensure the area surrounding this product is as clear of clutter as possible.
- Each INSTEON product is assigned a unique INSTEON I.D., which is printed on the product's label.
- To reduce the risk of overheating and possible damage to other equipment, do not use this product to control loads in excess of the specified maximum(s) or, install in locations with electricity specifications which are outside of the product's specifications. If this device supports dimming, please note that dimming an inductive load, such as a fan or transformer, could cause damage to the dimmer, the load bearing device, or both. If the manufacturer of the load device does not recommend dimming, use a non-dimming INSTEON on/off switch. USER ASSUMES ALL RISKS ASSOCIATED WITH DIMMING AN INDUCTIVE LOAD.

Identifying the Electrical Wires in Your Home (North America only)

- Line: usually black (may also be called hot, live or power), carries 100-240VAC electricity into the wall box
- Neutral: usually white or white wire bundle, commonly daisy-chained from box to box
- Load: usually black, from a separate cable jacket
- Ground: bare copper wire or metal fixture (if grounded)

Identifying the Electrical Wires in Your Home (Europe/Australia/New Zealand)

- As wire colors vary from country to country, make sure you always check your electrical wires with a voltage meter to correctly identify line, load, neutral and ground wires
- If you have any questions, consult an electrician or your electricity supplier to learn more about your country's wiring colors and labels

IMPORTANT!

If you have any difficulties or questions, consult an electrician. If you are not knowledgeable about, and comfortable with, electrical circuitry, you should have a qualified electrician install the product for you.

Identify Switch Type

Before you install Micro module behind a switch, you must determine which switch operation mode applies to your switch—latching, single momentary or dual momentary—as each is wired differently:

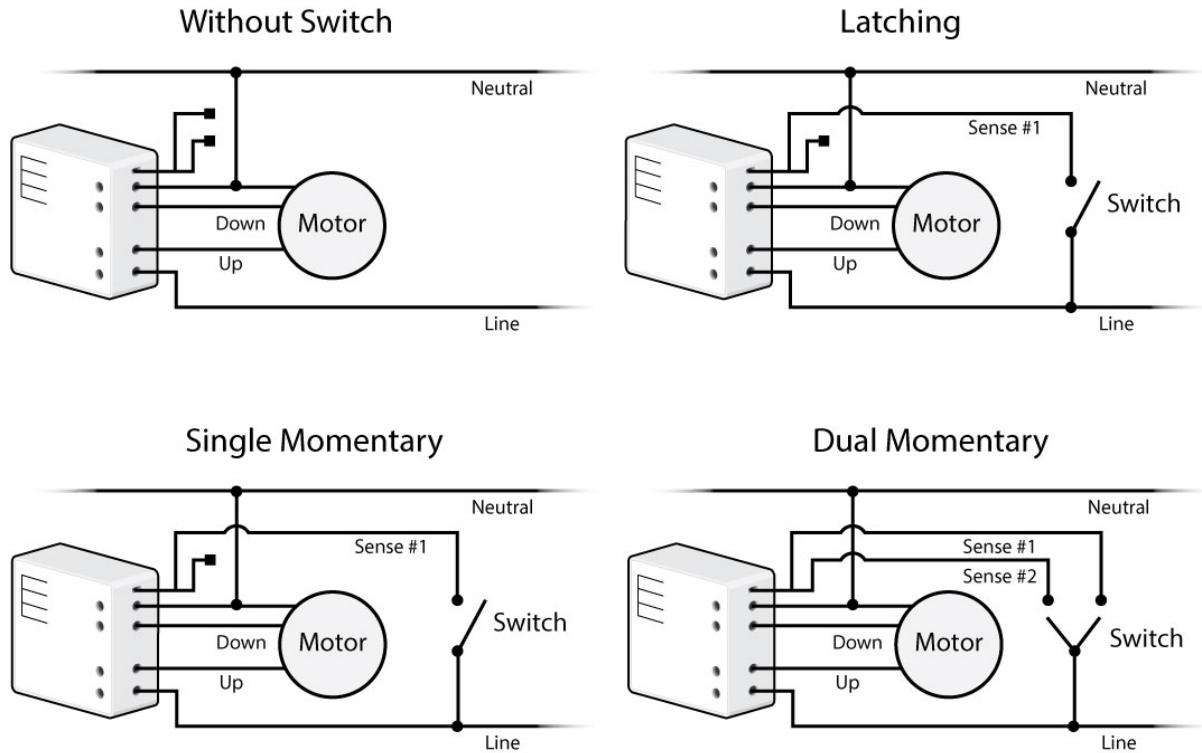
- **Latching (default mode):** Switch has no central position. It can be tapped on both the top and bottom and remains in that state once released.
- **Single momentary:** Switch can only be tapped in one location. It returns to central position once released.
- **Dual momentary:** Switch can be tapped on both the top and bottom. It returns to central position once released.

Once you have identified your switch type, install Micro module according to the corresponding wiring diagram, then see “Switch Operation Mode” to program Micro module for your specific switch type.

Note: If you are installing Micro module behind a wall outlet or in a fixture, switch operation mode does not apply.

Installation

- 1) Write down the INSTEON ID found on the back of the unit (XX.XX.XX)
 - 2) Turn off breaker/fuse and verify that the power is off
 - 3) Disconnect wires from existing switch, fixture or outlet and prep all wires to be connected to Micro module, with 3/16" (5mm) of bare wire on the ends
 - 4) Connect wires per diagram which corresponds to your installation
- Note: sense lines carry very low current (~0.35mA 240V, ~0.17mA for 120V)



- 5) After ensuring wires are firmly connected and that there is no exposed wire, turn on breaker/fuse
After a few seconds, Micro module LED will turn green
- 6) Test by tapping Micro module up/down buttons
Motor will respond accordingly
Micro Module LED will turn green when motor is moving up/open and stay green until the down button is pressed
Micro Module LED will turn red when motor is moving down/closed and stay red until the up button is pressed
- 7) If installing a single momentary or dual momentary switch
 - a) Press and hold set button until it beeps
LED will start blinking green
 - b) Press and hold set button until it beeps a second time
LED will start blinking red
 - c) Press and hold set button until it beeps a third time
LED will start blinking green
 - d) Perform the step that applies
 - For single momentary: slowly tap set button four times
LED will continue blinking green
 - For dual momentary: slowly tap set button five times
LED will start double-blinking green
 - To switch back to latching: slowly tap set button six times
LED will start blinking green
 - e) Once the mode is selected, press and hold set button until it double-beeps
LED will stop blinking and turn green if motor is up/open or red if motor is down/closed

Switch Operation Mode

By default, Micro module is programmed for a latching switch. Program the switch operation for single momentary mode, dual momentary mode or back to latching mode according to your switch type. These settings can also be configured remotely via software (sold separately).

To determine Micro module's current switch operation mode, simply tap Set button:

- If it beeps, Micro module is configured for a single momentary switch
- If it double-beeps, Micro module is configured for a dual momentary switch
- If it triple-beeps, Micro module is configured for a latching switch (default)

Change to Single Momentary Mode

- 1) Press and hold Set button until it beeps
LED will start blinking green
- 2) Press and hold Set button until it beeps again
LED will start blinking red
- 3) Press and hold Set button until it beeps a third time
LED will start blinking green
- 4) Slowly tap Set button four times
LED will continue blinking green
- 5) Press and hold Set button until it double-beeps
LED will stop blinking
- 6) Test mode change by tapping switch on and off
Load will respond appropriately

Change to Dual Momentary Mode

- 1) Press and hold Set button until it beeps
LED will start blinking green
- 2) Press and hold Set button until it beeps again
LED will start blinking red
- 3) Press and hold Set button until it beeps a third time
LED will start blinking green
- 4) Slowly tap Set button five times
LED will start double-blinking green
- 5) Press and hold Set button until it double-beeps
LED will stop blinking
- 6) Test mode change by tapping switch top and bottom
Load will respond appropriately

Change to Latching Mode (default)

- 1) Press and hold Set button until it beeps
LED will start blinking green
- 2) Press and hold Set button until it beeps again
LED will start blinking red
- 3) Press and hold Set button until it beeps a third time
LED will start blinking green
- 4) Slowly tap Set button six times
LED will continue blinking green
- 5) Press and hold Set button until it double-beeps
LED will stop blinking
- 6) Test mode change by tapping switch on and off
Load will respond appropriately

Calibrate Micro Module

Once wired in, you need to calibrate Micro module for the time it takes for your application—shutters, blinds, projector screens, etc.—to fully raise/lower or open/close. Do not walk away during the calibration process as your Set button taps will determine the timing. These settings can also be configured remotely via software (sold separately).

- 1) Press and hold Set button until it beeps
LED will start blinking green
- 2) Press and hold Set button until it beeps again
LED will start blinking red
- 3) Press and hold Set button until it beeps a third time
LED will start blinking green
- 4) Press and hold Set button until it beeps a fourth time
LED will start blinking red
- 5) Slowly tap Set button twice
LED will continue blinking red
- 6) Press and hold Set button until it beeps
Motor will begin travelling one direction
- 7) As soon as load is fully lowered (or raised), tap Set button
Motor will begin travelling the opposite direction
- 8) As soon as load is fully raised (or lowered), tap Set button
Micro module will double-beep
Micro module is now calibrated

3-Way Toggle Mode (Latching Switches Only, Default)

Because Micro module comes programmed for latching switches, 3-way toggle mode is enabled by default. Normally, a latching switch reads the switch's up position as on and down position as off. For example, if you turn Micro module on from the latching switch and off from another controller, the switch is still in the up position; turning Micro module back on from the switch would require you to tap the switch down, then up again. The 3-way toggle mode overrides this sense feature, so in that same scenario—turning Micro module on at the switch and off from another controller, so switch is in up position—you could then turn Micro module on at the switch by tapping it down.

If you are installing Micro module behind a single or dual momentary switch, 3-way toggle mode is ignored. If desired, you can disable (or re-enable) 3-way toggle mode by following these instructions:

- 1) Press and hold Set button until it beeps
LED will start blinking green
- 2) Press and hold Set button until it beeps again
LED will start blinking red
- 3) Press and hold Set button until it beeps a third time
LED will start blinking green
- 4) Press and hold Set button until it beeps a fourth time
LED will start blinking red
- 5) Tap Set button
Micro module will beep and LED will start double-blinking red
- 6) Press and hold Set button until it double-beeps
LED will stop blinking
3-way toggle mode is now disabled (or re-enabled)

Reverse Motor Direction

For some applications, such as a projector screen, you want the connected motor to lower or close your connected screen or blinds when you press the up button or send an on command. Or you may have accidentally wired Micro module into the motor wrong. However, you don't have to rewire Micro module to fix it. Follow these steps to reverse the motor direction in response to commands (i.e., an on command will close/lower while an off command will open/raise).

- 1) Press and hold Set button until it beeps
LED will start blinking green
- 2) Press and hold Set button until it beeps again
LED will start blinking red
- 3) Press and hold Set button until it beeps a third time
LED will start blinking green
- 4) Press and hold Set button until it beeps a fourth time
LED will start blinking red
- 5) Slowly tap Set button three times
LED will continue blinking red
- 6) Press and hold Set button until it double-beeps
- 7) Test by tapping connected switch up and down
Motor will now operate in the reverse direction

Local Control Operation

Micro module's [switch operation mode](#) affects how it responds to commands from the switch. This is why it's important to program Micro module for the specific type of switch you are using. Micro module's up/down buttons function exactly like the top and bottom of your wall switch.

Latching Switch (Default)

Note that this table refers to the latching switch operation if [3-way toggle mode](#) is disabled (it is enabled by default) and the motor direction has not been reversed.

Connected load/responders		
Latching switch	Tap	LED
Top	Up/On	Green
Bottom	Down/Off	Red

Single Momentary Switch

Connected load/responders				
Single momentary switch	Tap	Press and hold	Double-tap	LED
Switch	Up/Down	Up/Down	Up/Down	Green/ Red
	On/Off (ramped)	Brighten/Dim until release or full-on/off (<i>dimnable responders only</i>)	On/Off (instant)	

Dual Momentary Wall Switch

Connected load/responders				
Dual momentary switch	Tap	Press and hold	Double-tap	LED
Top	Up/On (ramped)	Up Brighten until release or 100% <i>(dimnable responders only)</i>	Up/On (instant)	Green
Bottom	Down/Off (ramped)	Down Dim until release or off <i>(dimnable responders only)</i>	Down/Off (instant)	Red

Adjust Local Settings

Change LED Brightness (or turn it off)

Default = 50% brightness level

- 1) Press and hold Set button until it beeps
LED will start blinking green
- 2) Press and hold Set button until it beeps again
LED will start blinking red
- 3) Press and hold Set button until it beeps a third time
LED will start blinking green
- 4) Tap Set button once
LED will start double-blinking green
- 5) Press and hold Set button until it beeps
LED will turn green (at brightness of connected load)
- 6) Press and hold Micro module on/off buttons to brighten or dim LED to desired brightness
- 7) Tap Set button
Micro On/Off will double-beep and return to ready mode

Error Blink

Default = enabled

This setting is only adjustable via software or a central controller. Micro module LED will blink red once if one or more responders do not acknowledge a message and will blink green once if all responders are successful.

Blink on Traffic

Default = disabled

This setting is only adjustable via software or a central controller. Micro module LED will blink red if it detects noise that could disrupt communication.

Beep on Button Press

Default = disabled

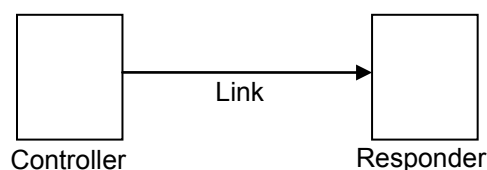
This setting is only adjustable via software or a central controller. Micro module will beep every time its connected switch is tapped or a button is pressed.

INSTEON Setup

Some products have subtle differences in their setup procedures. Please refer to the other devices' owner's manuals for details.

INSTEON Controllers, Responders and Links

- The INSTEON “transmitter” is called a **controller**
- The INSTEON “receiver” is called a **responder**
- The association between the controller and responder is called a **link**



Note that a link is one way. If you wish to have control “the other way,” simply add a link “the other way.”

Configure INSTEON Settings

Most Micro module links and settings can be configured locally—during installation with the module’s Set button or after installation using the switch connected to the module.

All Micro module settings can be managed remotely via software (sold separately).

Make Micro Module a Responder (Set button)

Note: you must perform these steps before reinstalling the wall switch or fixture.

- 1) Press and hold controller Set button until it beeps
Controller LED will start blinking
You will have four minutes to complete the next steps before linking mode times out
- 2) Adjust load connected to Micro module to desired level (up or down)
- 3) Press and hold Micro module Set button until it double-beeps
Controller will double-beep and its LED will stop blinking
- 4) Test link by tapping controller button on and off
Load connected to Micro module will respond appropriately

Make Micro Module a Responder (Switch)

- 1) Press and hold controller Set button until it beeps
Controller LED will start blinking
You will have four minutes to complete the next steps before linking mode times out
- 2) Adjust load connected to Micro module to desired level (up or down)
- 3) Quickly tap switch connected to Micro module exactly five times in less than four seconds. (If using a latching or dual momentary switch, alternate switch directions: up-down-up-down-up or down-up-down-up-down.) After tapping switch, wait two seconds.

Micro module will double-beep

Controller will double-beep and its LED will stop blinking

- 4) Test link by tapping controller button on and off

Load connected to Micro module will turn on and off

Make Micro Module a Controller (Set button)

Note: you must perform these steps before reinstalling the wall switch or fixture.

- 1) Press and hold Micro module Set button until it beeps

Micro module LED will start blinking green

You will have four minutes to complete the next steps before linking mode times out

- 2) Adjust responder to desired state¹

- 3) Press and hold responder Set button until it double-beeps

Micro module will double-beep and its LED will stop blinking²

- 4) Test link by tapping or pressing and holding Micro module on/off buttons to turn on/off or brighten/dim

Responder will respond appropriately

Make Micro Module a Controller (Switch)

- 1) Quickly tap switch connected to Micro module exactly five times in less than four seconds. (If using a latching or dual momentary switch, alternate switch directions: up-down-up-down-up or down-up-down-up-down.) After tapping switch, wait two seconds.

Micro module will beep to indicate it has entered linking mode

You will have four minutes to complete the next steps before linking mode times out

- 2) Adjust responder to desired state³

- 3) Press and hold responder Set button until it double-beeps

Micro module will double-beep and its LED will stop blinking

- 4) Test link by tapping switch connected to Micro module to turn on/off or brighten/dim

Responder will respond appropriately

Groups

Devices in a group share all the same settings (e.g., on-level, ramp rate). This keeps all group members synchronized. Every device in a group is both a controller of, and responder to, all the other devices. The most common example of a group is a 3-way lighting circuit (2 switches). For simplicity, we will assume that the desired group level is on.

The following steps will create a virtual 3-way circuit including device “A” and device “B”:

- 1) Turn A and B on

- 2) Press and hold A Set button until it beeps

A status LED will start blinking green

- 3) Press and hold B Set button until it double-beeps

A will double-beep and its LED will stop blinking

- 4) Press and hold B Set button until it beeps

B LED will start blinking green

- 5) Press and hold A Set button until it double-beeps

B will double-beep and its LED will stop blinking

- 6) Test by turning load on and off from A and then B

The load(s) and both A and B LEDs will remain in synch

¹ If responder is a multi-scene device such as a KeypadLinc, tap scene button you wish to control until the LED is in the desired scene state (on or off).

² If either controller or responder LED continues blinking, the addition failed. Tap device's Set button until LED stops blinking and try linking again.

³ If responder is a multi-scene device such as a KeypadLinc, tap scene button you wish to control until the LED is in the desired scene state (on or off)

Scenes

Devices in a scene can each have different settings. This provides for advanced scene creation. Software is recommended for scene management.

Example of a scene with 1 controller and Micro module as a member:

- 1) Press and hold controller button until it beeps
Controller LED will start blinking green
- 2) Tap controller Set button
Controller LED will start double-blinking green
- 3) Adjust load connected to Micro module to desired level (up or down)
- 4) Press and hold Micro module Set button until it double-beeps
- 5) For each additional scene member:
 - a. Adjust member to desired scene state
 - b. Press and hold Set button until it double-beeps
- 6) Tap controller Set button
Controller will beep and LED will stop blinking
- 7) Test by tapping controller button on and off
Micro module and other scene responders will all respond appropriately

Make Micro Module a Controller of Multiple Responders

- 1) Press and hold Micro module Set button until it beeps
LED will start blinking green
- 2) Tap Micro module Set button
LED will start double-blinking green
- 3) For each responder you are adding:
 - a. Adjust responder to desired scene state
 - b. Press and hold Set button until it double-beeps
- 4) Tap Micro module Set button
Micro module will beep and LED will stop blinking
- 5) Test by tapping switch wired into Micro module open and closed
All the responders will turn on and off

Remove Micro Module as a Controller

If you no longer want Micro module to control another device (or are removing Micro module from your network) it is important that you follow the instructions below for each responder.

- 1) Press and hold Micro module Set button until it beeps
LED will start blinking green
- 2) Press and hold Micro module Set button until it beeps again
LED will start blinking red
- 3) Press and hold responder Set button until it double-beeps
Micro module will double-beep and LED will stop blinking
- 4) Test by tapping Micro module on and off
Former responder will not respond

Remove Micro Module as a Responder

If you no longer want a controller button to control Micro module, follow these directions.

Note: If you ever wish to uninstall Micro module, it is important that you remove all Micro module responder links. Otherwise, controllers will repetitively retry commands, creating network delays.

- 1) Press and hold controller button until it beeps
LED will start blinking green
- 2) Press and hold controller button until it beeps again

- LED will start blinking red*
- 3) Press and hold Micro module Set button until it double-beeps
Controller LED will stop blinking
 - 4) Test by tapping controller button on and off
Micro module will no longer respond

Remove Micro Module as a Controller of Multiple Responders

- 1) Press and hold Micro module Set button until it beeps
LED will start blinking green
- 2) Press and hold Micro module Set button until it beeps again
LED will start blinking red
- 3) Tap Micro module Set button
LED will start double-blinking red
- 4) For each responder you are removing:
 - a. Press and hold Set button until it double-beeps
- 5) Tap Micro module Set button
Micro module will beep and LED will stop blinking
- 6) Test by tapping the switch wired into Micro module on and off
None of the former responders will respond

Factory Reset

All settings, links and scenes will be erased.

- 1) Press and hold Micro module Set button until it beeps
LED will start blinking green
- 2) Press and hold Micro module Set button until it beeps again
LED will start blinking red
- 3) Press and hold Micro module Set button until it beeps a third time
LED will start blinking green
- 4) Slowly tap Micro module Set button 3 times
LED will start double-blinking green
- 5) Press and hold Micro module Set button. Do not let go.
Micro module will begin to emit a long beep
- 6) After beep stops, release Micro module Set button
After a few seconds, Micro module will double-beep

X10 Setup

Micro module ships with no X10 address assigned.

Add X10 Address

- 1) Press and hold Set button until it beeps
LED will start blinking green
- 2) Send the X10 address 3 times (with or without commands)
Example: A1-AON-A1-AON-A1-AON or A1-A1-A1-AON
Micro module will double-beep and LED will stop blinking
- 3) Test by sending X10 on and off commands
Load will turn on and off

Remove X10 Address

- 1) Press and hold Set button until it beeps
LED will start blinking green
- 2) Press and hold Set button until it beeps again
LED will start blinking red

- 3) Send the X10 address 3 times (with or without commands)
Example: A1-AOFF-A1-AOFF-A1-AOFF or A1-A1-A1-AOFF
Micro module will double-beep and LED will stop blinking
- 4) Test by sending X10 on and off commands
Micro module will not respond

Specifications

General		
Product name	Micro Open/Close	
Brand / manufacturer	INSTEON	
Manufacturer product number	2444-222 (US) 2444-422 (EU) 2444-522 (AUS/NZ)	
UPC	813922012767 (US) 813922012774 (EU) 813922012774 (AUS/NZ)	
Warranty	2 years, limited	
INSTEON		
INSTEON	Controller and responder	
Maximum links / scenes	400	
Status LED	Green when load is open, red when load is closed	
	Blinks red once when responder does not acknowledge/blinks green once if all responders acknowledge (can be disabled via software)	
	Blinks red or green during setup	
	Blinks red to indicate traffic (must be enabled via software)	
Beep on button press	Beeps when button is pressed or connected switch is tapped (must be enabled via software)	
LED brightness	Adjustable, from off to bright	
Local control	Yes	
Commands supported as controller	On	Off
	Fast-on	Fast-off
	Begin brighten	Begin dim
	End brighten	End dim
Commands supported as responder	Open (on)	Close (off)
	Begin raise (brighten)	Begin lower (dim)
	End raise (brighten)	End lower (dim)
	Beep	
Software Configurable	Yes	
RF Range	Up to 50 meters (150 feet) open air* *Range may vary due to local interference/building construction	

Phase detect beacon	Yes	
X10 Support	Yes	
X10 Addresses	Any 1 of 256 (unassigned by default)	
INSTEON Device Category	0x0E Window Coverings (All Frequencies)	
INSTEON Device Subcategory	2444-222 (915 MHz)	0x01
	2444-422 (869 MHz)	0x02
	2444-522 (921 MHz)	0x03
Mechanical		
Mounting	Behind switch or outlet, or above light fixture in a single-gang electrical box	
Wires	Sense 1 (yellow wire), 0.205mm ² / 24 AWG	
	Sense 2 (purple wire), 0.205mm ² / 24 AWG	
Max Cable Size	4mm ² (2.72mm diameter) / 12 AWG	
Min Cable Size	1.5mm ² / 15 AWG	
Screw clamp connections	Line	
	Load 1 (up)	
	Load 2 (down)	
	Neutral	
Case Color	White	
Set button	Yes	
Plastic	UV stabilized ABS+PC	
Beeper	Yes	
LED	1, RGB	
Dimensions	46.6mm H x 46.6mm W x 16.3mm D (1.8" H x 1.8" W x 0.6" D)	
Weight	71.5g (2.5 oz)	
Operating Environment	Indoors	
Operating temperature range	32° to 104° F (0° to 40° C)	
Operating humidity range	0-90% relative humidity	
Storage temperature range	-4° to 158° F (-20° to 70° C)	
Electrical		
Voltage	100VAC to 240VAC	
Frequency	50/60Hz auto-detected at power-up	
Maximum load	USA: 8A resistive, 2.5A motor EU and AUS/NZ: 8A resistive, 3A motor	
Load type(s)	Resistive Inductive/capacitive	

	Low voltage halogen Motor
Hardwired remote control	Yes, latching and momentary switches supported
Retains all settings without power	Yes, saved in non-volatile EEPROM
Standby power consumption	< 1 watt
Safety approved	ETL, CE, C-Tick
Certifications	FCC 15.107, 15.109, 15.249 RSS 210 EN 300 220-2, 301 489-3 AS/NZS 4268, CISPR 22 UL 1472 IEC 60669-2-1
FCC ID	SBPMM01

All product specifications are subject to change.

Troubleshooting

Problem	Possible Cause	Solution
The LEDs on Micro module are not turning on at all	Micro module is not getting power	Make sure the circuit breaker is turned on
		Check junction box wires to ensure all connections are tight and no bare wires are exposed
		Check the motor to ensure all connections are tight and no bare wires are exposed
I do not have a neutral wire	Micro module needs a neutral wire in order to operate	Look in the rear of the junction box for a group of wires tied together with a wire nut. Those are commonly neutral wires.
		Pull a neutral from nearby junction box
Micro module is not receiving signals from INSTEON or X10 controllers	The controller is plugged into a power strip	Powerline signals can't travel through some power filters. Plugging controller directly into wall outlet works best.
	Other modules are attenuating the signal or causing noise on the line	Plug other modules into a signal filter or move the modules or the controller to another outlet
		Add new, or move existing, INSTEON devices and retest. INSTEON devices act as INSTEON network repeaters.
	Micro module and the controller are on opposite powerline phases	Make sure there are at least 2 dual-band INSTEON products are properly installed to bridge the phases
The motor turned on by itself	Another controller, a timer, or stray X10 signals triggered Micro module	Install a power line signal blocker in your home to keep X10 signals from neighboring homes from interfering. Consider not using Micro module in X10 mode.
	Micro module may have an undesired responder membership	Use software to remove membership or perform a factory reset & re-setup Micro module
When I press a button on Micro module, it takes a long time for other INSTEON devices it is controlling to respond	Micro module is trying to control a responder that is not responding and may have been removed	Connect power to the responder
		If the INSTEON device is still available, remove it from Micro module and then re-add it
		Perform a factory reset
Micro module is locked up	A surge or excessive noise on the power line occurred	Power cycle Micro module
		Perform a factory reset
Micro module can turn off my responder, but nothing happens when I send an on/open	Responder's scene level is off	Add responder to scene again at desired scene on-level
Controller can make Micro module close, but not open	Micro module may be added to a scene at its closed state	Add Micro module to scene again at desired level (open or closed)

Micro module still controls devices even after factory reset	The responder's link was not removed prior to Micro module factory reset (called a half-link)	Remove responder from Micro module
--	---	------------------------------------

Stuck/Disabled Button

If Micro module's buttons are not responding, they may have been disabled due to a stuck button. If any button is pressed during power-up, or after power-up any Micro module button is pressed for about four minutes, Micro module engages stuck button mode and automatically disables all button actions. All buttons will remain disabled until next power cycle.

To re-enable buttons, ensure buttons are not being pressed, turn off breaker supplying power to Micro module and turn it back on. Micro module buttons should function again. Additionally, check Micro module's installation location for any obstacles that could be pressing the buttons on Micro module's face and causing stuck button mode.

Phase Bridge Detect Beacon/RF Range Test

Micro module automatically bridges the electrical phases in your home (via communications with other dual-band devices on the "other phase"). This is only important in 2-phase homes with powerline-only INSTEON products or buildings with both 2- and 3- phase circuits. The phase bridge detect beacon can also be used as an RF range test to see if your devices are within communication range. You will need at least one other INSTEON dual-band device installed.

- 1) Press and hold Set button until it beeps
LED will start blinking green
- 2) Press and hold Set button until it beeps again
LED will start blinking red
- 3) Press and hold Set button until it beeps a third time
LED will start blinking green
- 4) Slowly tap Set button twice
LED will continue blinking green
- 5) Press and hold Set button until it beeps
Micro module will start beeping once per second
LED will turn solid green
- 6) Check the LED behavior of other dual-band devices
 - If the other dual-band device is blinking green, it is on the other phase:
Device provides a phase bridge to Micro module
 - If the other dual-band device is blinking red, it is on the same phase:
Device does not provide a phase bridge to Micro module
Relocate if necessary (and practical)
 - If the other dual-band device is not blinking:
Device is not within RF range of Micro module so it does not provide a phase bridge
Relocate if necessary (and practical)
 - RF range test: if LED is blinking:
Device is within RF communication range
 - RF range test: if LED is not blinking:
Device is not within RF communication range
- 7) Tap Set button
Micro module will stop beeping
Other device LEDs will stop blinking

If you have tried these solutions, reviewed the owner's manual, and still cannot resolve the issue you are having visit <http://www.insteon.com/support> or call INSTEON Support Line at 866-243-8022.

Certification and Warranty

Certification

This product has been thoroughly tested by ITS ETL SEMKO, a nationally recognized independent third-party testing laboratory. The North American ETL Listed mark signifies that the device has been tested to and has met the requirements of a widely recognized consensus of U.S. and Canadian device safety standards, that the manufacturing site has been audited, and that the manufacturer has agreed to a program of quarterly factory follow-up inspections to verify continued conformance.

FCC and Industry Canada Compliance Statement

This device complies with FCC Rules Part 15 and Industry Canada RSS-210 (Rev. 7). Operation is subject to the following two conditions:

- (1) This device may not cause harmful interference, and
- (2) This device must accept any interference, including interference that may cause undesired operation of the device.

Le présent appareil est conforme aux CNR d'Industrie Canada applicables aux appareils radio exempts de licence. L'exploitation est autorisée aux deux conditions suivantes:

- (1) l'appareil ne doit pas produire de brouillage, et
- (2) l'utilisateur de l'appareil doit accepter tout brouillage radioélectrique subi, même si le brouillage est susceptible d'en compromettre le fonctionnement.

The digital circuitry of this device has been tested and found to comply with the limits for a Class B digital device, pursuant to Part 15 of the FCC Rules. These limits are designed to provide reasonable protection against harmful interference in residential installations. This equipment generates, uses, and can radiate radio frequency energy and, if not installed and used in accordance with the instructions, may cause harmful interference to radio and television reception. However, there is no guarantee that interference will not occur in a particular installation. If this device does cause such interference, which can be verified by turning the device off and on, the user is encouraged to eliminate the interference by one or more of the following measures:

- Re-orient or relocate the receiving antenna of the device experiencing the interference
- Increase the distance between this device and the receiver
- Connect the device to an AC outlet on a circuit different from the one that supplies power to the receiver
- Consult the dealer or an experienced radio/TV technician

WARNING: Changes or modifications to this device not expressly approved by the party responsible for compliance could void the user's authority to operate the equipment.

Declaration of Conformity

Hereby, INSTEON declares that this device is in compliance with the essential requirements and other relevant provisions of the following Directives:

- 1) Low Voltage Equipment Directive 2006/95/EC
- 2) Electromagnetic Compatibility Directive 2004/108/EC
- 3) Hazardous Substance Directive 2005/95/EC

Technical data and copies of the original Declaration of Conformity are available and can be obtained from INSTEON; 16542 Millikan Ave, Irvine, CA, USA.

User Information for Consumer Products Covered by EU Directive 2002/96/EC on Waste Electric and Electronic Equipment (WEEE)

This document contains important information for users with regards to the proper disposal and recycling of INSTEON products. Consumers are required to comply with this notice for all electronic products bearing the following symbol:



Environmental Information for Customers in the European Union

European Directive 2002/96/EC requires that the equipment bearing this symbol on the product and/or its packaging must not be disposed of with unsorted municipal waste. The symbol indicates that this product should be disposed of separately from regular household waste streams.

It is your responsibility to dispose of this and other electric and electronic equipment via designated collection facilities appointed by the government or local authorities. Correct disposal and recycling will help prevent potential negative consequences to the environment and human health.

For more detailed information about the disposal of your old equipment, please contact your local authorities, waste disposal service, or the shop where you purchased the product.

DECLARATION OF CONFORMITY TO R&TTE DIRECTIVE 1999/5/EC for the European Community, Switzerland, Norway, Iceland and Liechtenstein

Product category: general consumer (category 3).

English: This equipment is in compliance with the essential requirements and other relevant provisions of the European R&TTE Directive 1999/5/EC

Deutsch [German]: Dieses Gerät entspricht den grundlegenden Anforderungen und den weiteren entsprechenden Vorgaben der Richtlinie 1999/5/EC.

Nederlands [Dutch]: Dit apparaat voldoet aan de essentiële eisen en andere van toepassing zijnde bepalingen van de Richtlijn 1999/5/EC.

Svenska [Swedish]: Denna utrustning står i överensstämmelse med de väsentliga egenskapskrav och övriga relevanta bestämmelser som framgår av direktiv 1999/5/EG.

Français [French]: Cet appareil est conforme aux exigences essentielles et aux autres dispositions pertinentes de la Directive 1999/5/EC

Español [Spanish]: Este equipo cumple con los requisitos esenciales así como con otras disposiciones de la Directiva 1999/5/CE.

Português [Portuguese]: Este equipamento está em conformidade com os requisitos essenciais e outras provisões relevantes da Directiva 1999/5/EC.

Italiano [Italian]: Questo apparato è conforme ai requisiti essenziali ed agli altri principi sanciti dalla Direttiva 1999/5/CE.

Norsk [Norwegian]: Dette utstyret er i samsvar med de grunnleggende krav og andre relevante bestemmelser i EU-direktiv 1999/5/EF.

Suomi [Finnish]: Tämä laite täyttää direktiivin 1999/5/EY olennaiset vaatimukset ja on siinä asetettujen muiden laitetta koskevien määräysten mukainen.

Dansk [Danish]: Dette udstyr er i overensstemmelse med de væsentlige krav og andre relevante bestemmelser i Direktiv 1999/5/EF.

Polski [Polish]: Urządzenie jest zgodne z ogólnymi wymaganiami oraz szczególnymi warunkami określonymi Dyrektywą UE: 1999/5/EC

ETL/UL Warning (Safety Warning)

CAUTION: To reduce the risk of overheating and possible damage to other equipment, do not install this device to control a receptacle, a motor-operated appliance, a fluorescent lighting fixture, or a transformer-supplied appliance.

Gradateurs commandant une DIN Raile a filament de tungstène – afin de réduire le risque de surchauffe et la possibilité d'endommagement a d'autres matériels, ne pas installer pour commander une prise, un appareil a moteur, une DIN Raile fluorescente ou un appareil alimenté par un transformateur.

Limited Warranty

Seller warrants to the original consumer purchaser of this product that, for a period of two years from the date of purchase, this product will be free from defects in material and workmanship and will perform in substantial conformity to the description of the product in this Owner's Manual. This warranty shall not apply to defects or errors caused by misuse or neglect. If the product is found to be defective in material or workmanship, or if the product does not perform as warranted above during the warranty period, Seller will either repair it, replace it, or refund the purchase price, at its option, upon receipt of the product at the address below, postage

prepaid, with proof of the date of purchase and an explanation of the defect or error. The repair, replacement, or refund that is provided for above shall be the full extent of Seller's liability with respect to this product. For repair or replacement during the warranty period, call INSTEON at 866-243-8022 with the Model # and Revision # of the device to receive an RMA# and send the product, along with all other required materials to:

INSTEON
ATTN: Receiving
16542 Millikan Ave.
Irvine, CA 92606-5027

Limitations

The above warranty is in lieu of and Seller disclaims all other warranties, whether oral or written, express or implied, including any warranty or merchantability or fitness for a particular purpose. Any implied warranty, including any warranty of merchantability or fitness for a particular purpose, which may not be disclaimed or supplanted as provided above shall be limited to the two-year of the express warranty above. No other representation or claim of any nature by any person shall be binding upon Seller or modify the terms of the above warranty and disclaimer.

Home automation devices have the risk of failure to operate, incorrect operation, or electrical or mechanical tampering. For optimal use, manually verify the device state. Any home automation device should be viewed as a convenience, but not as a sole method for controlling your home.

In no event shall Seller be liable for special, incidental, consequential, or other damages resulting from possession or use of this device, including without limitation damage to property and, to the extent permitted by law, personal injury, even if Seller knew or should have known of the possibility of such damages. Some states do not allow limitations on how long an implied warranty lasts and/or the exclusion or limitation of damages, in which case the above limitations and/or exclusions may not apply to you. You may also have other legal rights that may vary from state to state.

U.S Patent No. 7,345,998, International patents pending

© Copyright 2013 INSTEON, 16542 Millikan Ave., Irvine, CA 92606, 866-243-8022, www.insteon.com